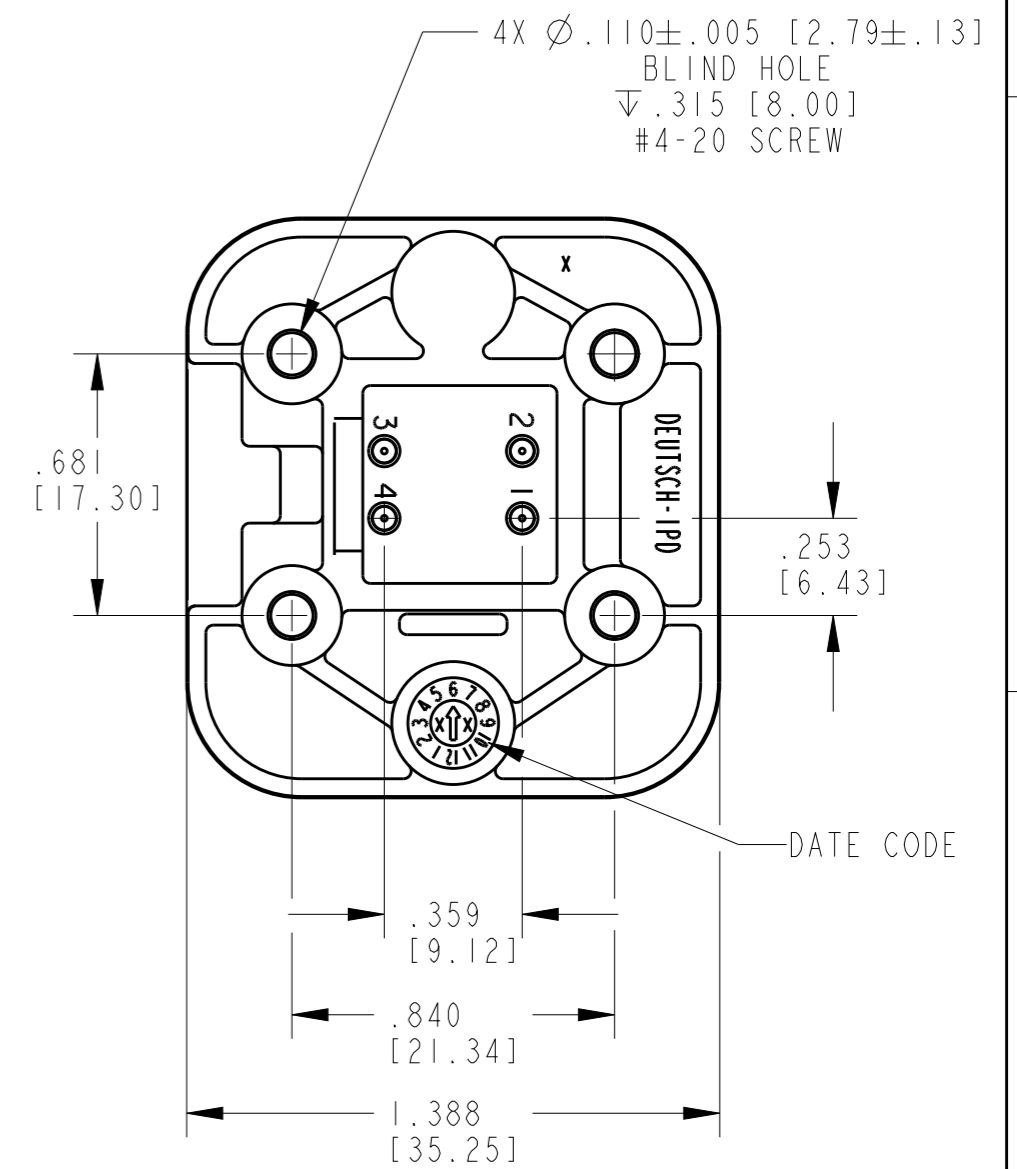
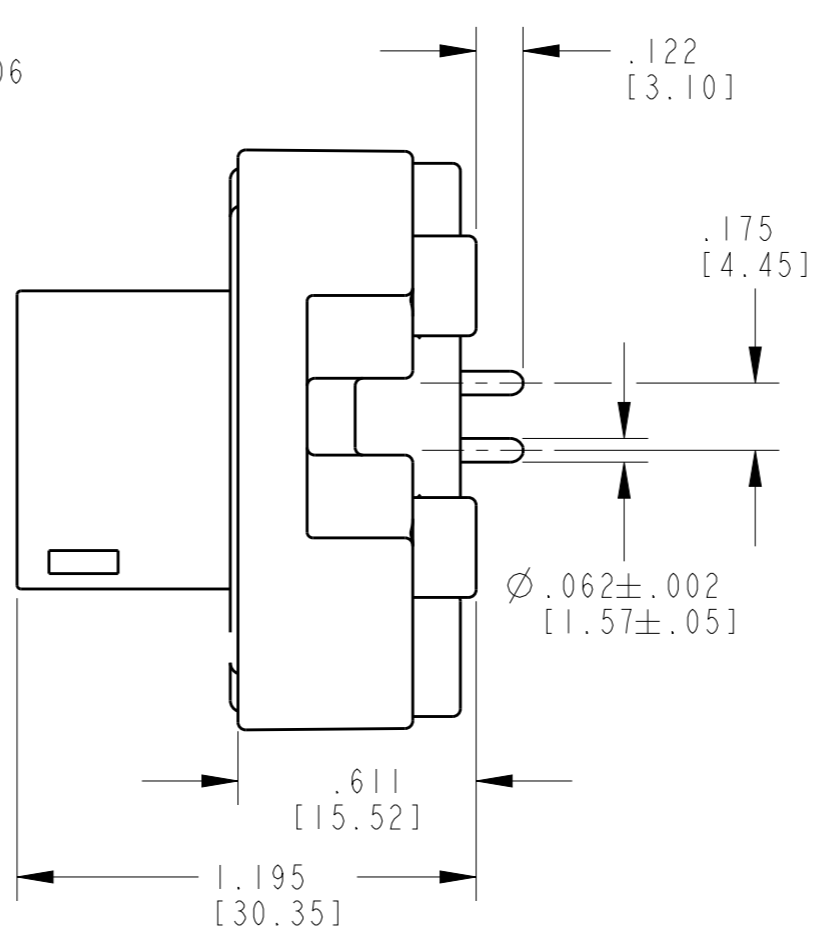
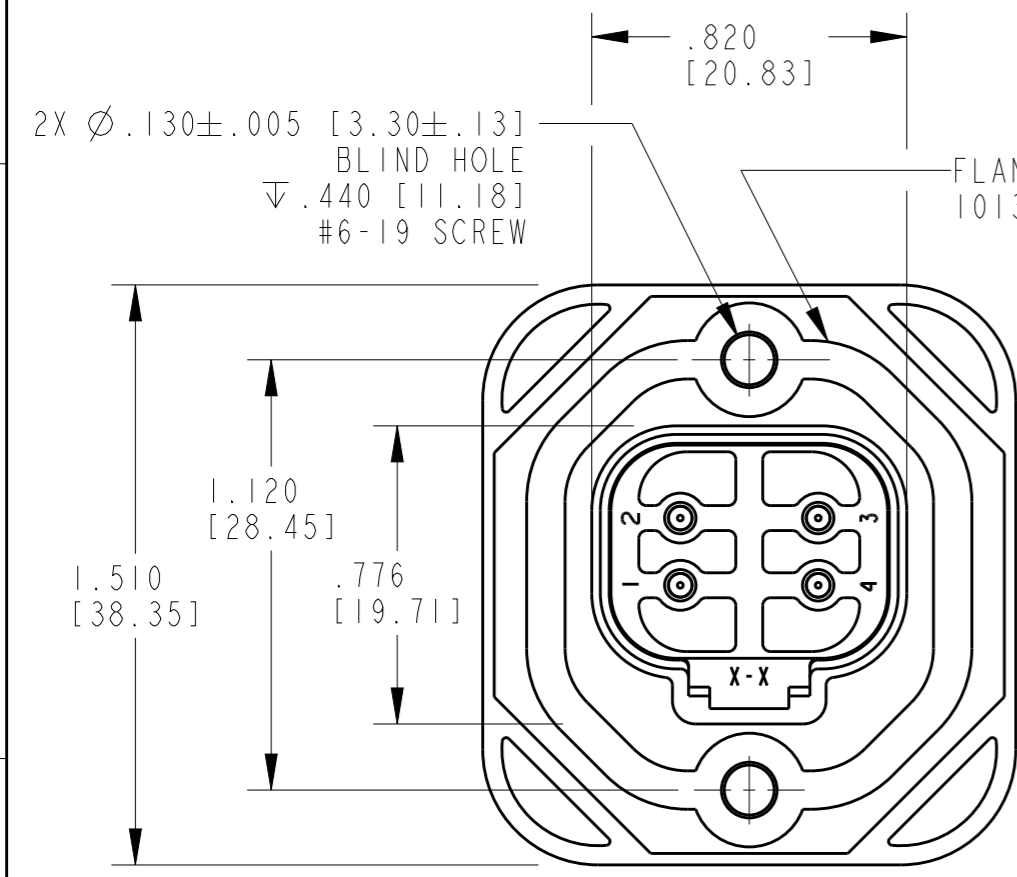


THIS DRAWING IS UNPUBLISHED
 RELEASED FOR PUBLICATION 2014
 © COPYRIGHT 2013 BY TE CONNECTIVITY ALL RIGHTS RESERVED.

LOC		DIST		REVISIONS			
P	LTR	DESCRIPTION	DATE	DWN	APVD		
	B	REVISED AND REDRAWN PER E.O. P17444	1-9-2		RDR		
	C	REVISED PER E.O. P18200	6-16-03		RDR		
	D	REVISED PER E.O. P19401	11-20-06		RDR		
	D1	REVISED PER ECO-14-010107	03JUL2014	JA	DM		



6. MOUNTING SCREW TORQUE VALUES ARE AS FOLLOWS:
 #6-19 SCREWS: 13 ± 2.0 IN-LB [$1.47 \pm .23$ N-M].
 #4-20 SCREWS: 8 ± 2.0 IN-LB [$.90 \pm .23$ N-M].
 VALUES VALID FOR PLASTITE 48 SCREWS ONLY.
5. RECOMMENDED MOUNTING SCREWS (NOT INCLUDED): CAMCAR PLASTITE 48, SINGLE HELIX.
4. THIS RECEPTACLE MATES WITH DT06-4S-XXXX PLUG (XXXX = ALL MODIFICATIONS.)
3. CONTACT PLATING - MATING SIDE: NICKEL; PCB SIDE: TIN.

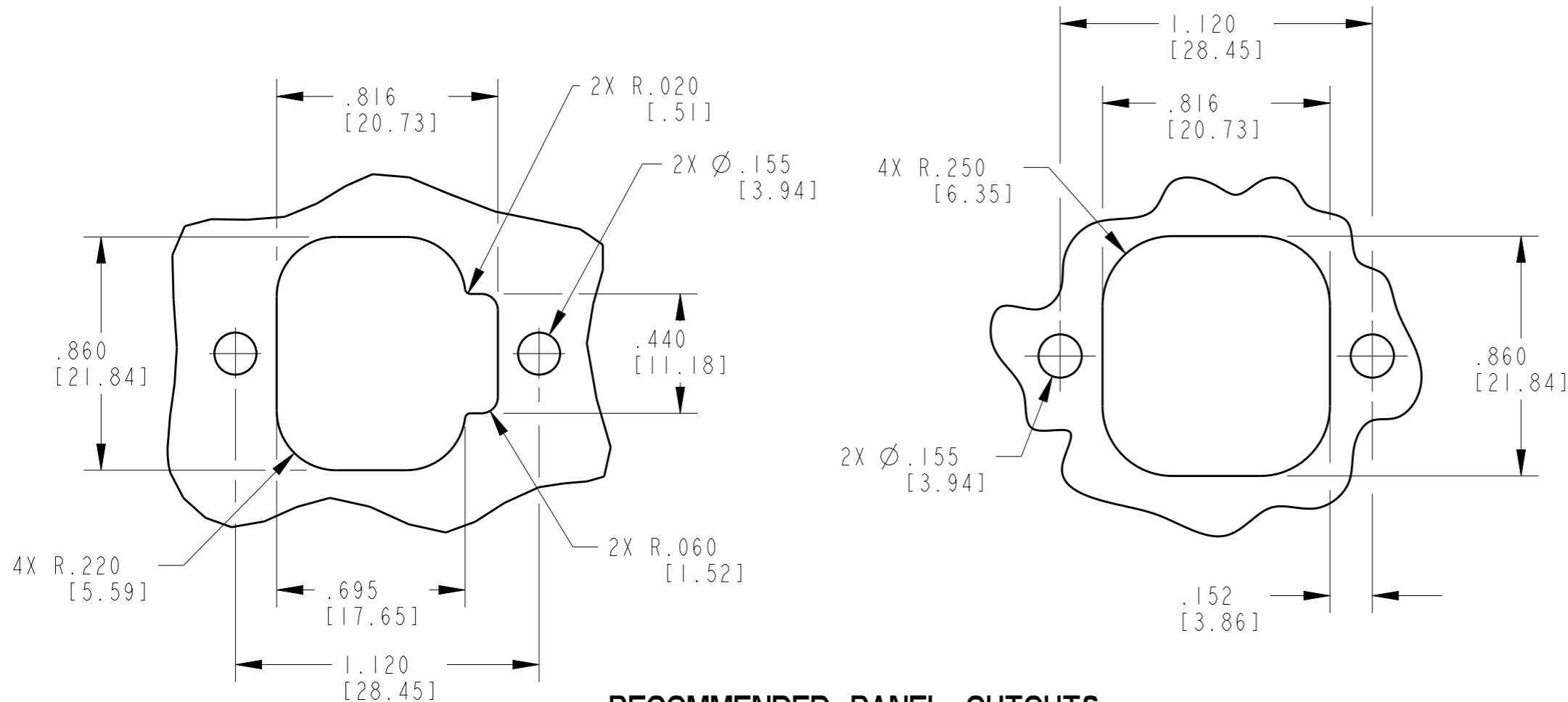
2 MATERIALS:
 SHELL: PA GF30 (GRAY)
 SEAL: SILICONE (ORANGE-RED)
 PIN CONTACTS: COPPER ALLOY

1 DIMENSION TOLERANCE: $\pm .025$ [.64]
 PANEL CUTOUT: $\pm .010$ [.25].
 PIN LOCATIONS: $\pm .005$ [.13]
 MOUNTING HOLE LOCATIONS: $\pm .010$ [.13]

NOTES:

THIS DRAWING IS A CONTROLLED DOCUMENT.		DWN P. BURKE 20DEC2001	TE Connectivity	
DIMENSIONS: INCHES [mm]		CHK KEVIN MCKEE 03JUL2014		
TOLERANCES UNLESS OTHERWISE SPECIFIED:		APVD DAVID MEYER 03JUL2014	NAME RECEPTACLE HEADER 4 PIN 180 DEG DT SERIES	
0 PLC ± 1 PLC ± 2 PLC ± 3 PLC ± 4 PLC ± ANGLES ±0°30'0"		PRODUCT SPEC	RESTRICTED TO	
MATERIAL		APPLICATION SPEC	SIZE A3	CAGE CODE 4AFU8
FINISH		WEIGHT 19g ± 10%	DRAWING NO DT15-4P	
2		CUSTOMER DRAWING	SCALE 2:1	SHEET 1 OF 2
			REV D1	

LOC		DIST		REVISIONS			
P	LTR	DESCRIPTION		DATE	DWN	APVD	
	D1	SEE SHEET 1		03JUL2014	JA	DM	



RECOMMENDED PANEL CUTOUTS

THIS DRAWING IS A CONTROLLED DOCUMENT.		DWN P. BURKE 20DEC2001																
DIMENSIONS: INCHES [mm]		CHK KEVIN MCKEE 03JUL2014																
TOLERANCES UNLESS OTHERWISE SPECIFIED:		APVD DAVID MEYER 03JUL2014	NAME RECEPTACLE HEADER 4 PIN 180 DEG DT SERIES															
<table border="0"> <tr> <td>0 PLC</td><td>±</td><td rowspan="5"> </td> </tr> <tr> <td>1 PLC</td><td>±</td> </tr> <tr> <td>2 PLC</td><td>±</td> </tr> <tr> <td>3 PLC</td><td>±</td> </tr> <tr> <td>4 PLC</td><td>±</td> </tr> <tr> <td>ANGLES</td><td>±0°30'0"</td><td></td> </tr> </table>		0 PLC	±		1 PLC	±	2 PLC	±	3 PLC	±	4 PLC	±	ANGLES	±0°30'0"		PRODUCT SPEC	RESTRICTED TO	
0 PLC	±																	
1 PLC	±																	
2 PLC	±																	
3 PLC	±																	
4 PLC	±																	
ANGLES	±0°30'0"																	
MATERIAL		APPLICATION SPEC	SIZE A3	CAGE CODE 4AFU8	DRAWING NO G=DT15-4P													
FINISH		WEIGHT 19g±10%	SCALE 2:1		SHEET 2 OF 2													
		CUSTOMER DRAWING	REV D1															